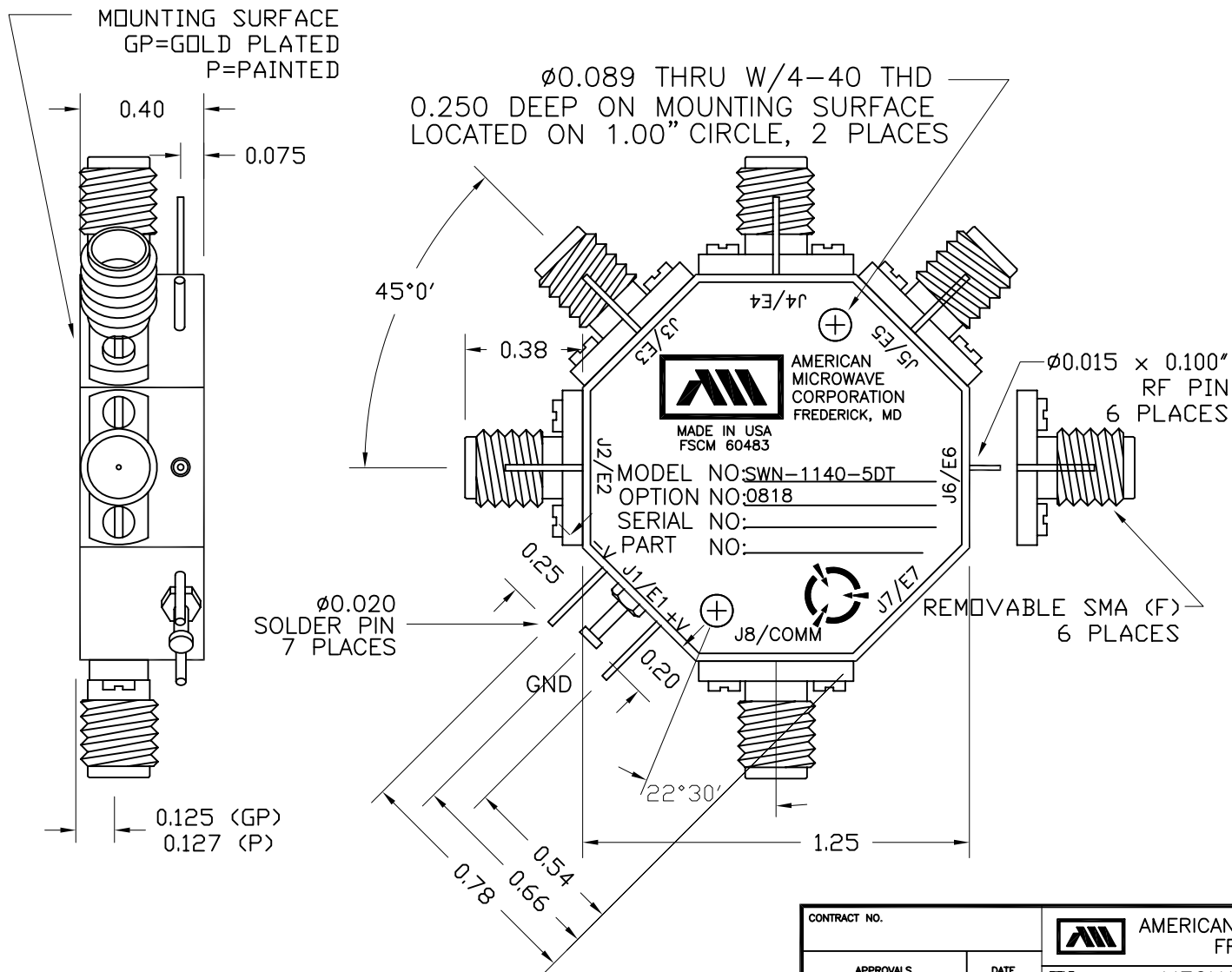


# DESCRIPTION

AMC MODEL SWN-1140-5DT-STANDARD OPTION: 0818 IS AN ABSORPTIVE/ NON-REFLECTIVE SINGLE POLE FIVE THROW SWITCH DESIGNED TO OPERATE OVER THE 0.8 TO 18 GHz FREQUENCY RANGE.

REVISIONS				
ZONE	REV.	DESCRIPTION	DATE	APPROVED
-		ORIGINAL RELEASE, JOB# 704080PEX-1	05/02/07	

## MECHANICAL OUTLINE



CONTRACT NO.		AMERICAN MICROWAVE CORPORATION FREDERICK, MARYLAND		
APPROVALS	DATE	TITLE		
DRAWN <i>WJES</i>	05/02/07	MECHANICAL OUTLINE		
CHECKED <i>YR</i>	05/02/07	SWN-1140-5DT-STANDARD OPTION 0818		
ISSUED		NON-REFLECTIVE/ABSORPTIVE, RADIAL SOLID STATE SWITCH		
SIZE	FSCM NO.	DWG NO.	REV.	
A	60483	100-4168-005	-	
SCALE N/S		SHEET		2 of 4

# DESCRIPTION

AMC MODEL SWN-1140-5DT-STANDARD OPTION: 0818 IS AN ABSORPTIVE/ NON-REFLECTIVE SINGLE POLE FIVE THROW SWITCH DESIGNED TO OPERATE OVER THE 0.8 TO 18 GHz FREQUENCY RANGE.

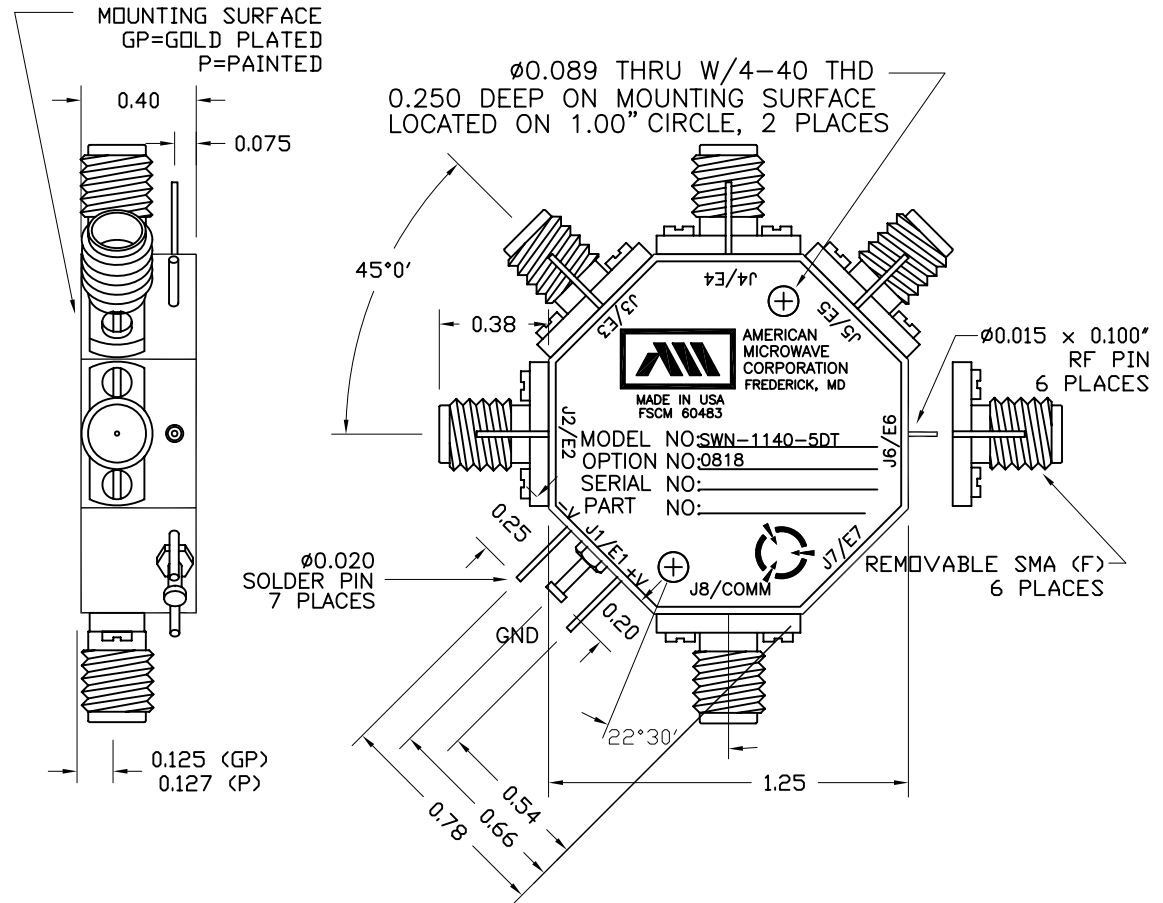
REVISIONS				
ZONE	REV.	DESCRIPTION	DATE	APPROVED
		- ORIGINAL RELEASE, JOB# 704080PEX-1	05/02/07	

## SPECIFICATIONS:

- FREQUENCY: 0.8 GHz TO 18 GHz
- INSERTION LOSS: 4.0 dB
- ISOLATION: 0.8 GHz TO 2 GHz: 60db  
2 GHz TO 18 GHz: 70db
- VSWR: ABSORPTIVE IN/OUT: 2.0:1  
ABSORPTIVE OUT/OFF: 2.0:1
- SPEED: RISE: 10ns TYPICAL, 15ns MAXIMUM  
FALL: 10ns TYPICAL, 15ns MAXIMUM  
DELAY ON: 75ns MAXIMUM  
DELAY OFF: 75ns MAXIMUM
- POWER INPUT: (CW)+20dBm (STANDARD), +10 dBm (HIGH SPEED)
- SURVIVAL POWER: 1 WATT CW, 10 WATTS PEAK 1 usec
- CONTROL: TTL LOGIC "0"=ON "1"=OFF
- POWER SUPPLY: +5V @ 250 mA MAX.  
-12V @ 75 mA MAXIMUM

## OPTIONS:

0818 OPTIMIZED FOR 0.8 TO 18 GHz



## ENVIRONMENTAL RATINGS:

- TEMPERATURE: -55°C TO +85°C (OPERATING)  
-65°C TO +125°C (STORAGE)
- HUMIDITY: MIL-STD-202F, METHOD 103B COND. B
- SHOCK: MIL-STD-202F, METHOD 213B COND. B
- VIBRATION: MIL-STD-202F, METHOD 204D COND. B
- ALTITUDE: MIL-STD-202F, METHOD 105C COND. B
- TEMPERATURE CYCLE: MIL-STD-202F, METHOD 107D COND. A

ALL DIMENSIONS ARE IN INCHES

TOLERANCES:

X.XX ±0.020

X.XXX ±0.010

NOTE: THE ABOVE SPECIFICATIONS ARE SUBJECT TO CHANGE OR REVISION

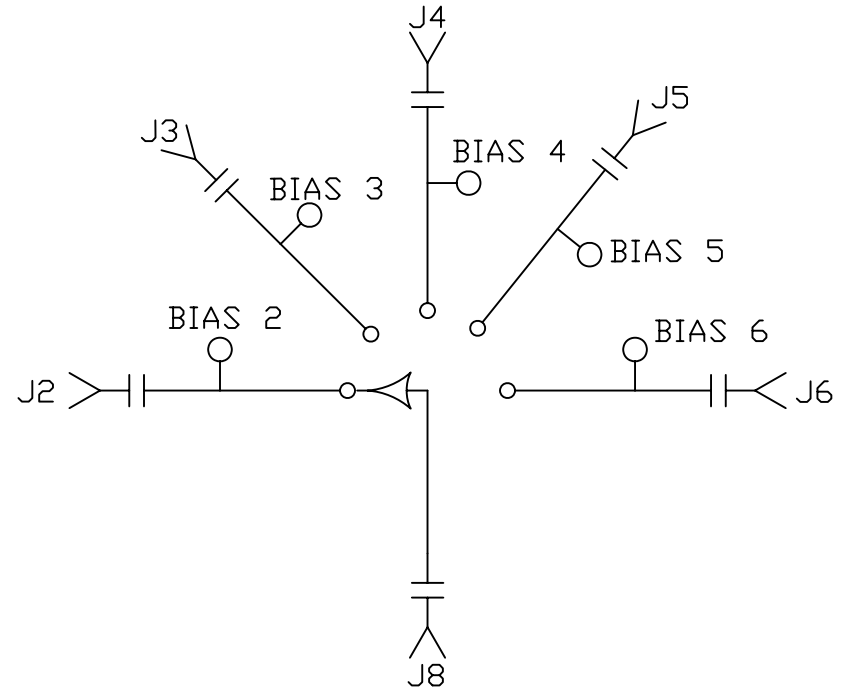
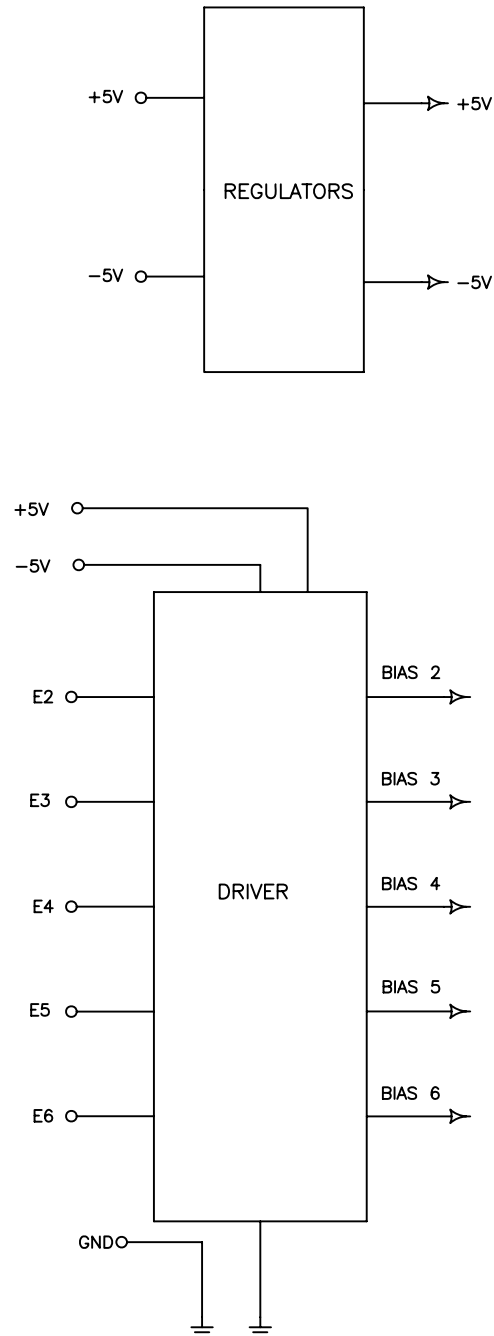
CONTRACT NO.		AMERICAN MICROWAVE CORPORATION FREDERICK, MARYLAND	
APPROVALS	DATE	TITLE	
DRAWN <i>WJES</i>	05/02/07	PRODUCT FEATURE SWN-1140-5DT-STANDARD OPTION 0818	
CHECKED <i>YR</i>	05/02/07	NON-REFLECTIVE/ABSORPTIVE, RADIAL SOLID STATE SWITCH	
ISSUED		SIZE	FSCM NO.
		A	60483
		DWG NO.	100-4168-005
		REV.	-
SCALE N/S		SHEET 1 of 4	


# DESCRIPTION

AMC MODEL SWN-1140-5DT-STANDARD OPTION: 0818 IS AN ABSORPTIVE/ NON-REFLECTIVE SINGLE POLE FIVE THROW SWITCH DESIGNED TO OPERATE OVER THE 0.8 TO 18 GHz FREQUENCY RANGE.

REVISIONS				
ZONE	REV.	DESCRIPTION	DATE	APPROVED
	-	ORIGINAL RELEASE, JOB# 704080PEX-1	05/02/07	

# FUNCTIONAL BLOCK DIAGRAM



CONTRACT NO.		 AMERICAN MICROWAVE CORPORATION FREDERICK, MARYLAND		
APPROVALS	DATE	TITLE		
DRAWN <i>WJES</i>	05/02/07	FUNCTIONAL BLOCK DIAGRAM SWN-1140-5DT-STANDARD OPTION 0818 NON-REFLECTIVE/ABSORPTIVE, RADIAL SOLID STATE SWITCH		
CHECKED <i>YR</i>	05/02/07	SIZE	FSCM NO.	DWG NO.
ISSUED		A	60483	100-4168-005
		SCALE	N/S	SHEET 3 of 4
				REV. -